

SPECIAL AIR SERVICE JEEP



1/35 MILITARY MINIATURE SERIES



It was the night of 26th July, 1942. The runway was brightly lit by the moon. The German field airport of Sidi Ennich was in activity as usual. The moon disappeared behind the clouds. The light of a bomber which was just going to land there searched for the runway. The night wore on silently as if it had not been in war time. It was quite unbelievable that the German base located far away from the front was on the brink of a serious disaster. There was no feeling of unrest. Raising a dry dust, the wheels of the bomber touched the ground, when heavy machine guns suddenly produced deafening noises and car engines started roaring. The runway was blown by a black violent gust and thrown into disorder. The SAS under the command of David Stirling started a surprise attack. They had come here from beyond the sea of desert tens of miles away. Sidi Ennich was one of the most important airfields for Rommel.

There were a large number of games: Stukas, Junkers JU52s, Heinkels — nearly half of Rommel's planes. Firing their machine guns, 18 Jeeps in close formation slashed their way through the runway. German planes burst into flame one after another and their fuel tanks blew up. The flames reddened the sky over Sidi Ennich and tens of German planes mercilessly destroyed were left on the ground. The SAS is short for the Special Air Service. This was a special service unit organized in 1941 by young British officer David Stirling and showed activity in the desert of North Africa. The only one mission of the SAS was to weaken the enemy by infiltrating deep through enemy lines and harassing the rear. The SAS made elusive movements. They moved beyond the desert stretching for hundreds of miles and attacked the enemy at unexpected times in unexpected ways. They even parachuted at night. It was reported that some military establishments and airfields of the Germans located far in the rear were in constant fear and had to strain every nerve at all times.

It was never easy for the SAS to run across the desert stretching for hundreds of miles. The severe nature of the desert rejected men positively and was full of dangers to life. In the daytime, the burning sun scorched the sands and the temperature often exceeded 50°C. There were no trees to shield men from the sun. In the nighttime, the ground quickly be-

came as cold as ice and the temperature often fell below 0°C. Once a sandstorm broke, men had to lie flat on the ground and wait in the sand until it blew over. Epidemics and poisonous insects were another menace to men. They often inflicted a death blow to those who were weakened by the severe nature. Needless to say, water was priceless in the desert and could be obtained only at limited places. Even when a fountain was found, its water was sometimes not good to drink because it was badly contaminated by the rotten bodies of soldiers and animals that wandered about in search of water and died there.

In addition, the formidable enemy, i.e. the German Afrika Korps and the Italian forces, was on the watch for the SAS. Naturally, the SAS was consisted of only well-chosen members. Having a strong body hardened by severe training and actual fighting as well as an indomitable spirit, each of them was a real professional of desert warfare. It was said that the SAS compared favourably with an armoured brigade in ability.

It was the Jeep that the SAS used as their main means of transport. The Chevrolet 30 CWT 3-ton Truck was used at the initial stage of the war before the Jeep appeared in the battlefield and also at the later stage mainly for transport. Although inferior to the Chevrolet Truck in loading capacity, the Jeep with superior cross-country ability was best suited for the mission of the SAS. In order to bear up and survive under the severe nature of the desert, they taxed their ingenuity in their Jeeps in various ways.

Water was priceless in the desert. If its water-cooled engine overheated, the Jeep would come to a standstill in the sands and priceless water in the radiator would evaporate into dry air for nothing. It was very difficult to obtain water for the radiator. Thus they cut off all but two front grille members to facilitate air intake and obtain higher cooling efficiency. To the front of the grille they fixed a small cylindrical can, which was connected to the radiator by a hose. This was to avoid the wasteful use of priceless water. The can always contained some water, and radiator water boiled and evaporated would pass through the hose, enter the can, being cooled there and then return to the radiator again. This device was called condenser.

A sand guard was fixed to the carburettor to

prevent sand from entering the engine. The windscreen was removed to avoid the reflexion of sunlight. The Jeep running across the pathless desert was like a small boat sailing the ocean. A move in the wrong direction meant death. To find their bearings, they fixed a device called Sun Compass on the instrument board. It indicated direction by the position of the shadow of a piano wire in the centre cast by the sun on the face of a dial marked in bearings. The simple device was very useful while the sun shined in the sky. They also used a theodolite to find their bearings more accurately. Sand-channels were also indispensable to the Jeep in the desert. They were U-shaped iron plates of about 1.5m in length. When the Jeep was caught in the sands, they were put under the wheels so that it could move easily. A number of tanks and leather-bags containing water to drink and spare fuel tanks were mounted on the bonnet, rear, sides and other possible parts of the body. A camouflage net to conceal the vehicle from the enemy and a map were also necessary items. The small vehicle also carried all necessities of life such as sleeping bags, blankets and food. Each vehicle of the SAS was equipped with all such necessary items but in no case acted independently. To provide against dangers and contingencies, they always acted in a group of at least two or three vehicles.

A Browning machine gun and a single or twin Vickers 'K' guns were mounted usually on the scuttle and the rear of the body, either of them being mounted additionally on the side of some vehicles as a third gun. Schmeissers, Lugers, etc. and machine gun magazines were put close at hand. Naturally, the SAS fully used such arms captured from the Germans. The members of the SAS wore a shirt with half-length sleeves, knee breeches, duffel coat, aviation garment, turban, etc. according to their preference. The armament and equipment of the Jeeps also varied according to the purpose of operations and members' preference. There were no vehicles that carried the same armament and equipment in the same way. They looked as if they were put on the vehicle in a disorderly manner but in fact they were arranged in the most reasonable manner with easiness to use in mind. This would be the combined wisdom of those who had to fight under the unfavourable conditions of the desert.

**READ BEFORE
ASSEMBLY.**

**ERST LESEN
— DANN BAUEN.**

(Please read this before commencing assembly)

The members of the SAS chose their equipment and weapons according to the purpose of operations and their preference. They arranged them on their Jeeps with easiness to use in mind. Note that there were no SAS Jeeps that carried the same armament and equipment in the same ways. You can make an SAS Jeep model of any of the three types different in equipment: a heavy-equipment type for long-distance operations and two light-equipment types for short-distance operations. The following construction steps show a light-equipment type. Also make a heavy-equipment type with reference to the illustrations and photographs. Most of the main equipment used by the SAS is contained. It would be interesting to make your own model supposing that you are a member of the SAS.

(Light Equipment Type Items)

- Twin Vickers Machine Guns
- Single Vickers Machine Gun
- Bren Light Machine Gun
- Thompson Sub Machine Gun
- Vickers Drum Magazines
- Ammunition Box
(used also as a food container)
- Magazine Case
- Jerrycans (for gasoline) X13
- Jerrycans (for water to drink) X2
- Condenser (charge tank)
- Sun Compass
- Sand-Channels
- Wires
- Camouflage nets
- Blankets · Tents
- Others (medicine, map, captures from the German)

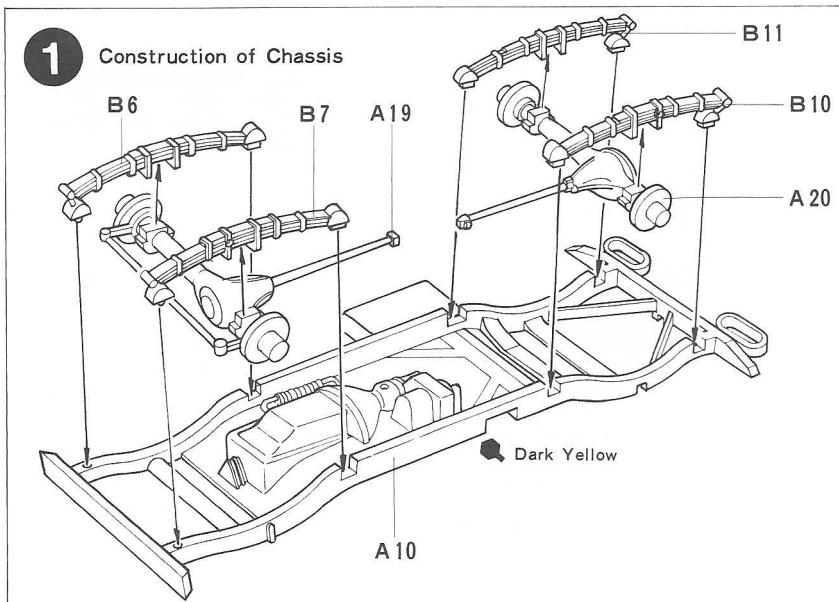
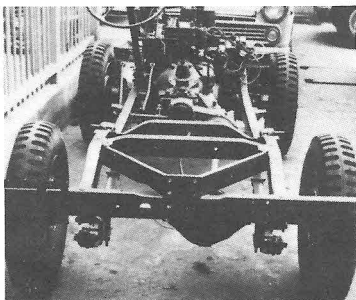
(Heavy Equipment Type Items)

- Browning M2 Machine Gun
- Twin Vickers Machine Guns
- Single Vickers Machine Gun
- Bren Light Machine Gun
- Thompson Sub Machine Gun
- Browning gun belt and its Case
- Jerrycans (for gasoline) X13
- Jerrycans (for water to drink) X2
- Condenser (charge tank)
- Sun Compass
- Sand-Channels
- Wires
- Camouflage nets
- Blankets · Tents
- Others (medicine, map, captures from the German)



① (Construction of Chassis)

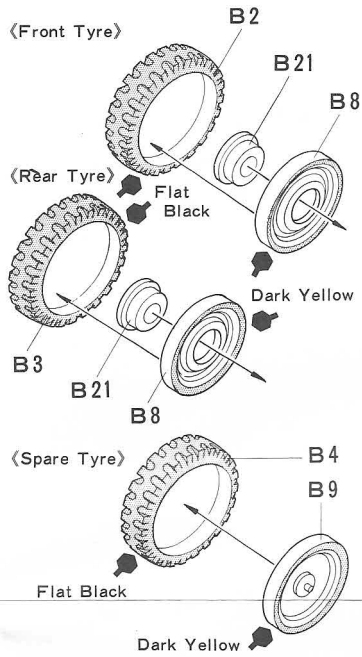
★ Cement B6 & B7 to A19, B10 & B11 to A20. Make sure of the numbers of Suspension, front or rear, right or left. Cement them to A10.



③ (Construction of Chassis and Body)
 Make sure of fixing A13 prior to the main assembly. Cement the pre-assembled chassis and body at ① & ② together.

(Construction of Tyres)

Construct Tyres as shown in the figure below. Make each 2 sets of Front Tyres & Rear Tyres. Make sure of their numbers and assemble.

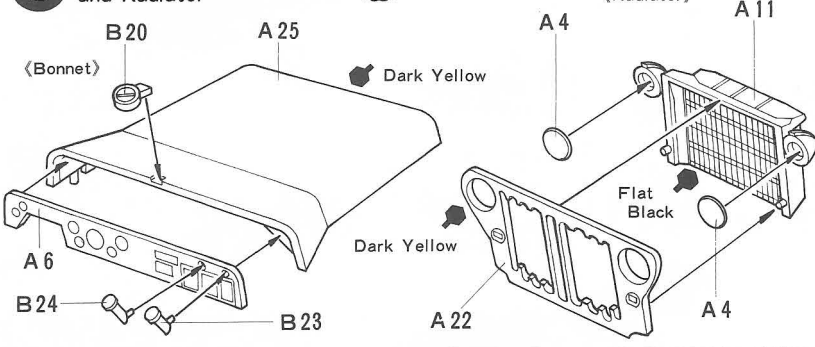
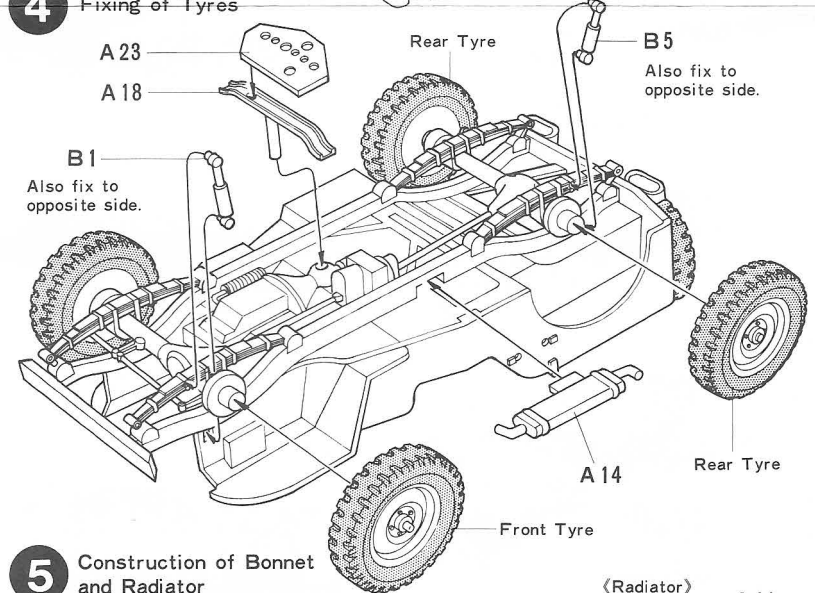
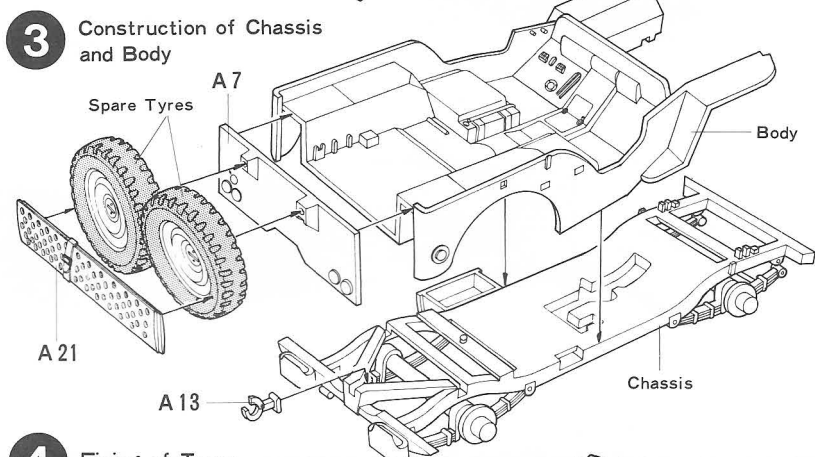
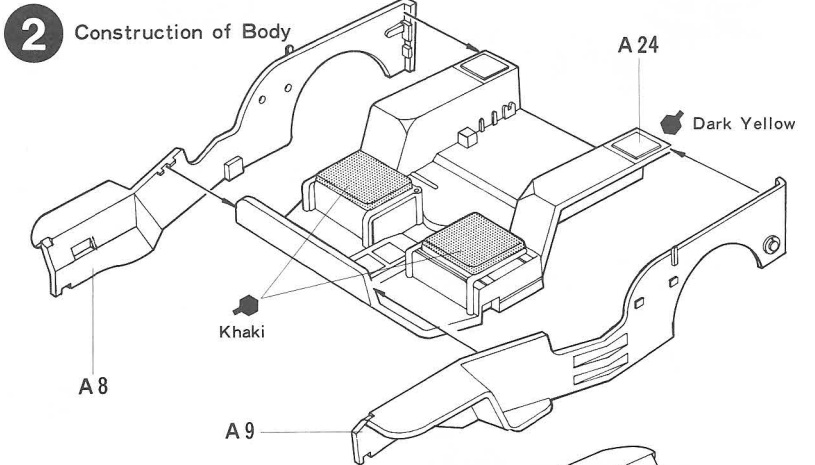
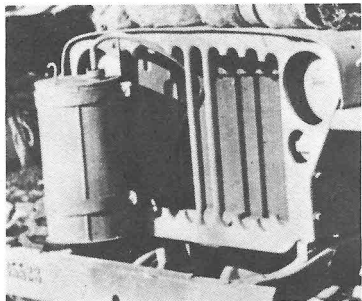


④ (Fixing of Tyres)
 Cement B1 & B5 to right and left sides before fixing Tyres. Note to prevent B5 from breaking as this part passes the narrow place. Next mount Tyres on the body. Tyres are slightly different in shape between front and rear. The ones which have longer center locks in the center of tyres are Front.

⑤ (Construction of Bonnet and Radiator)

★Make sure that you cement Machine Gun Mount B24 & B23 in correct position on Bonnet. B23 is a little longer than B24.

★Paint Radiator in Flat Black. Paint only the latticed pattern.



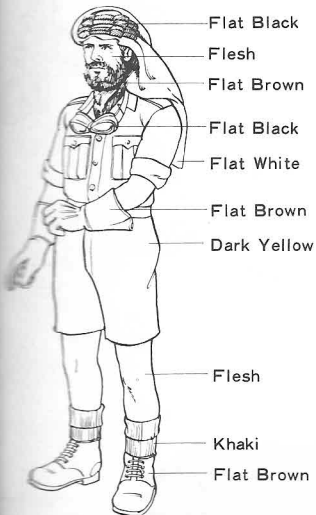
● (Construction of Seat etc.)

At this stage, the construction of the body finishes. From here, construct the various type model according to your taste.

● (Construction of Figures)

Two figures can be assembled from parts contained in this kit... a driver & a passenger. Load them after painting. Also fix Steering Wheel to Driver's hands beforehand.

▶ (Painting of Figures)

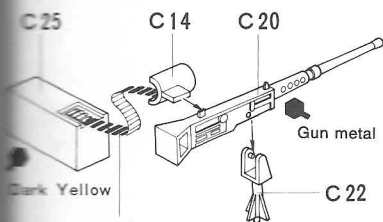


● (Construction of Equipment)

This kit contains four different types of Jerrycans. Note their shapes as you construct them. Incidentally, it would be also interesting to add German jerrycans to your model.

The armament consists of the Single and Twin Vickers Machine Guns. Construct them with care. This kit contains Browning M2 for the heavy equipment type. Assemble either type you prefer.

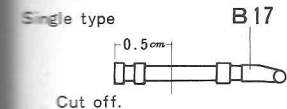
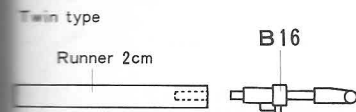
▶ (Construction of Browning M2)



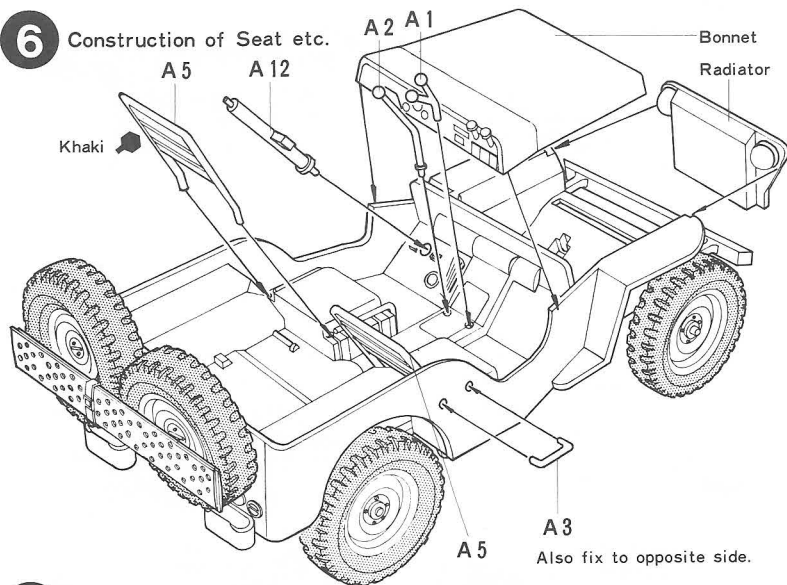
Make this belt by using plastic cards or runners.

▶ (Scratchbuild to Heavy Equipment Type)

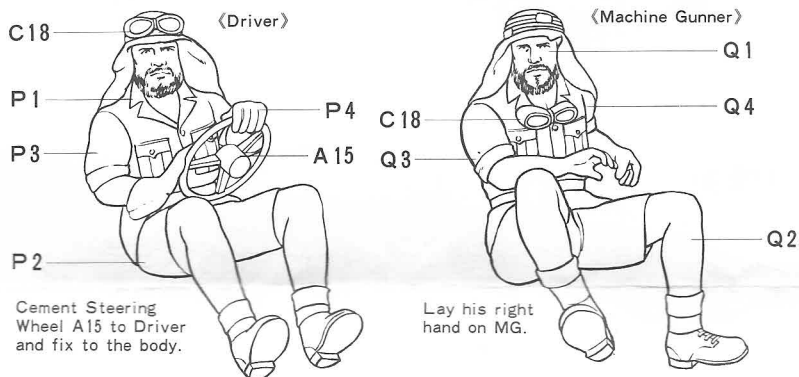
Stay for Vickers MG



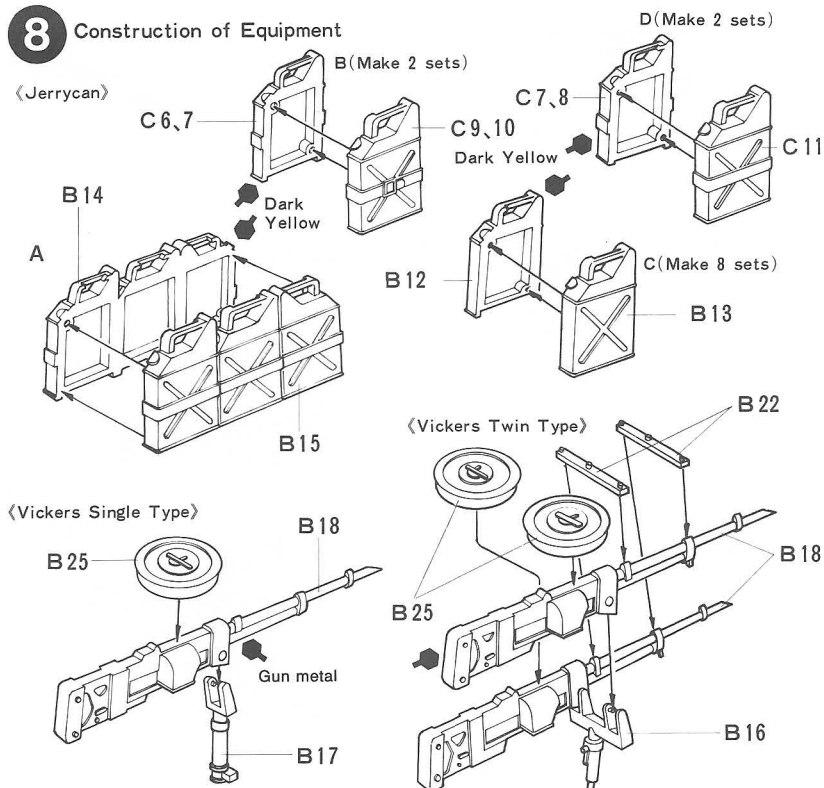
6 Construction of Seat etc.



7 Construction of Figures



8 Construction of Equipment

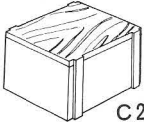


⑨ (Completion of SAS Jeep Model)
Load Machine Gun & Jerrycans as shown in the right figure. Use Browning M2 Machine Gun to the heavy equipment type and lay them in position as shown at ⑩. The equipment items loaded to the rear are shown in the figure below.

Equipment of SAS Jeep

Fighting Equipment

Ammunition Box



C 23

Drum Magazine Case



B 19

Personal Equipment

Duffel Bag



C 3

Duffel Bag



C 1

Store Rack



C 26



C 12

Drum Magazine



B 25



C 2



C 5

⑩ (For Those who should Like to Make more Realistic Model)

Make leather straps of bags and a gun belt from plastic strips or heat-stretched runner. Your idea will give your model much more realistic appearance. (Scratchbuilding to Heavy Equipment Type)

Make a stay for Single & Twin Vickers.

★Make a pipe of Condenser by heat-stretching runner. Fix one end to Radiator.

PAINTING

(Painting of SAS Jeep)

The SAS Jeep is painted in Dark Yellow overall. The right figure shows the pattern of weathering. Use Flat Earth and Buff colours.

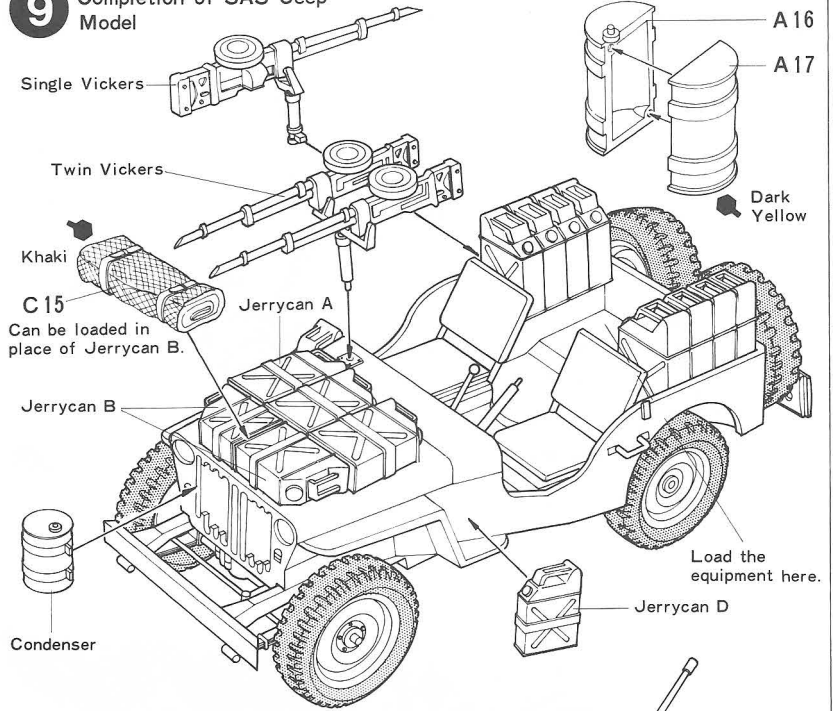
The detail colourings are indicated in the assembly figures.

(Paint to be Used)

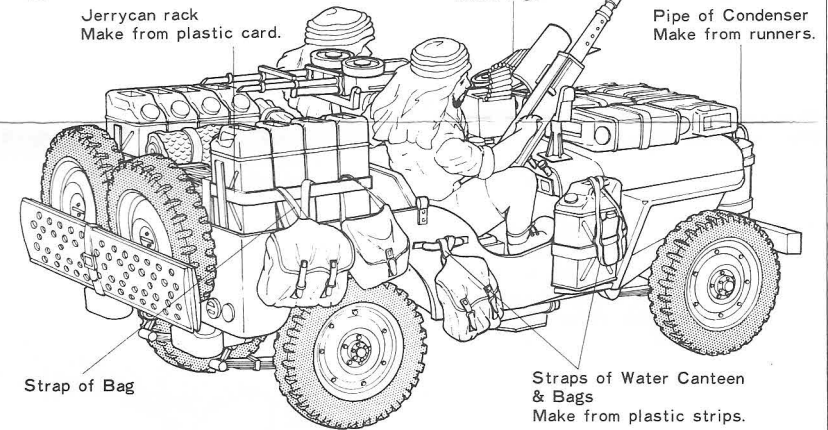
Use paint only for styrene plastic or enamel paint.

Flat Brown
Khaki
Metallic Grey
Dark Yellow
Red Brown
Flesh
Flat Black
Flat White

9 Completion of SAS Jeep Model



10 For Those who should Like to Make more Realistic Model



PAINTING

