

Your MINICRAFT F-104 may be assembled 'In-flight' with retracted landing gear or a 'stationary' or 'ground' version with extended landing gear. Additionally, you may equip the model with underwing droptanks and Sidewinder missiles. Please review the assembly steps to become familiar with the parts before beginning assembly.

PARTS LAYOUT DIAGRAM



Cement



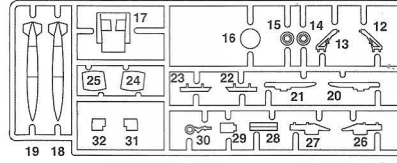
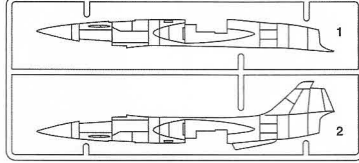
Do Not Cement



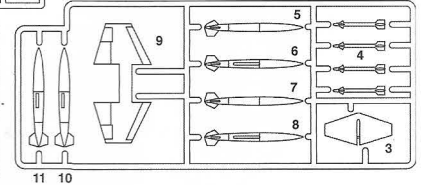
Optional



Symmetrical L/R

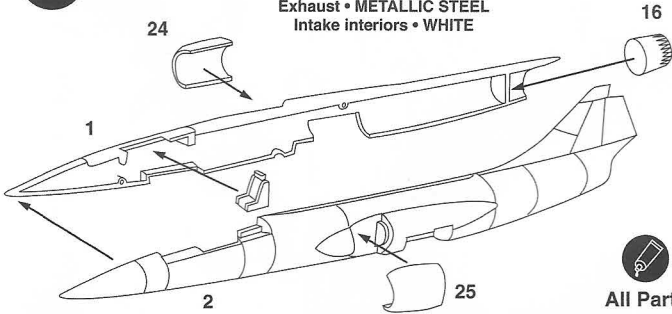


Canopy



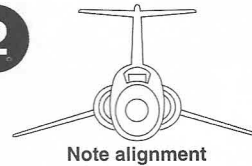
1

Seat • FLAT BLACK-GRAY
 Cockpit • LIGHT GRAY
 Exhaust • METALLIC STEEL
 Intake interiors • WHITE

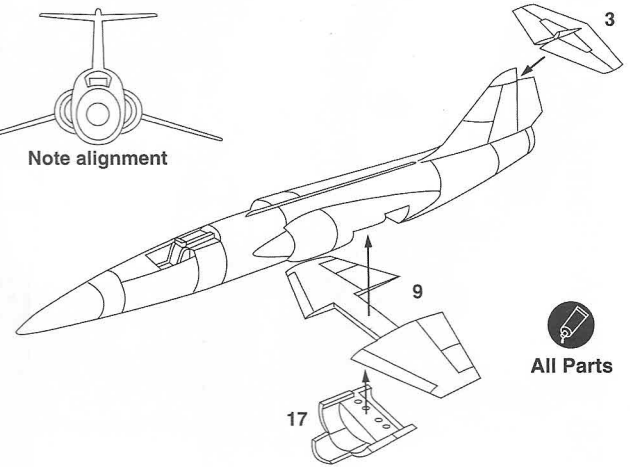


All Parts

2

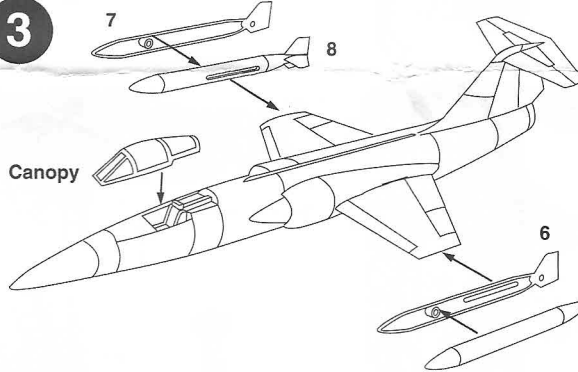


Note alignment



All Parts

3



All Parts

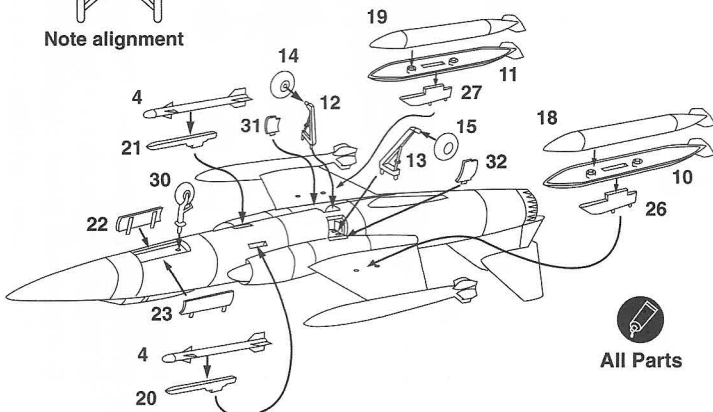
4

STATIONARY VERSION

Missiles • WHITE
 Wheel wells • ALUMINUM
 Gear door interiors • ALUMINUM
 Wheel hubs and struts • ALUMINUM
 Tires • FLAT BLACK-GRAY



Note alignment

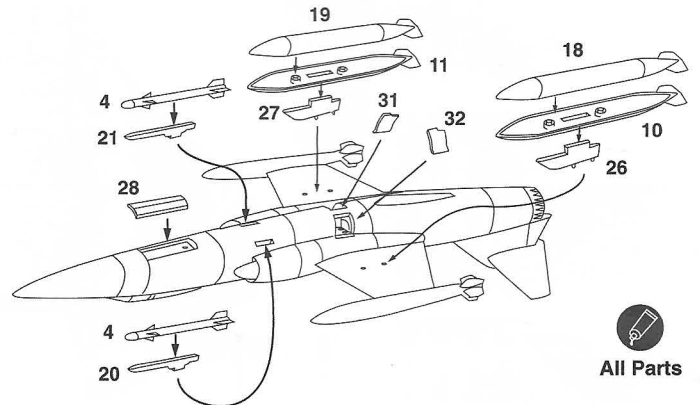
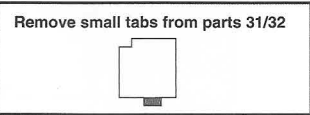


All Parts

5

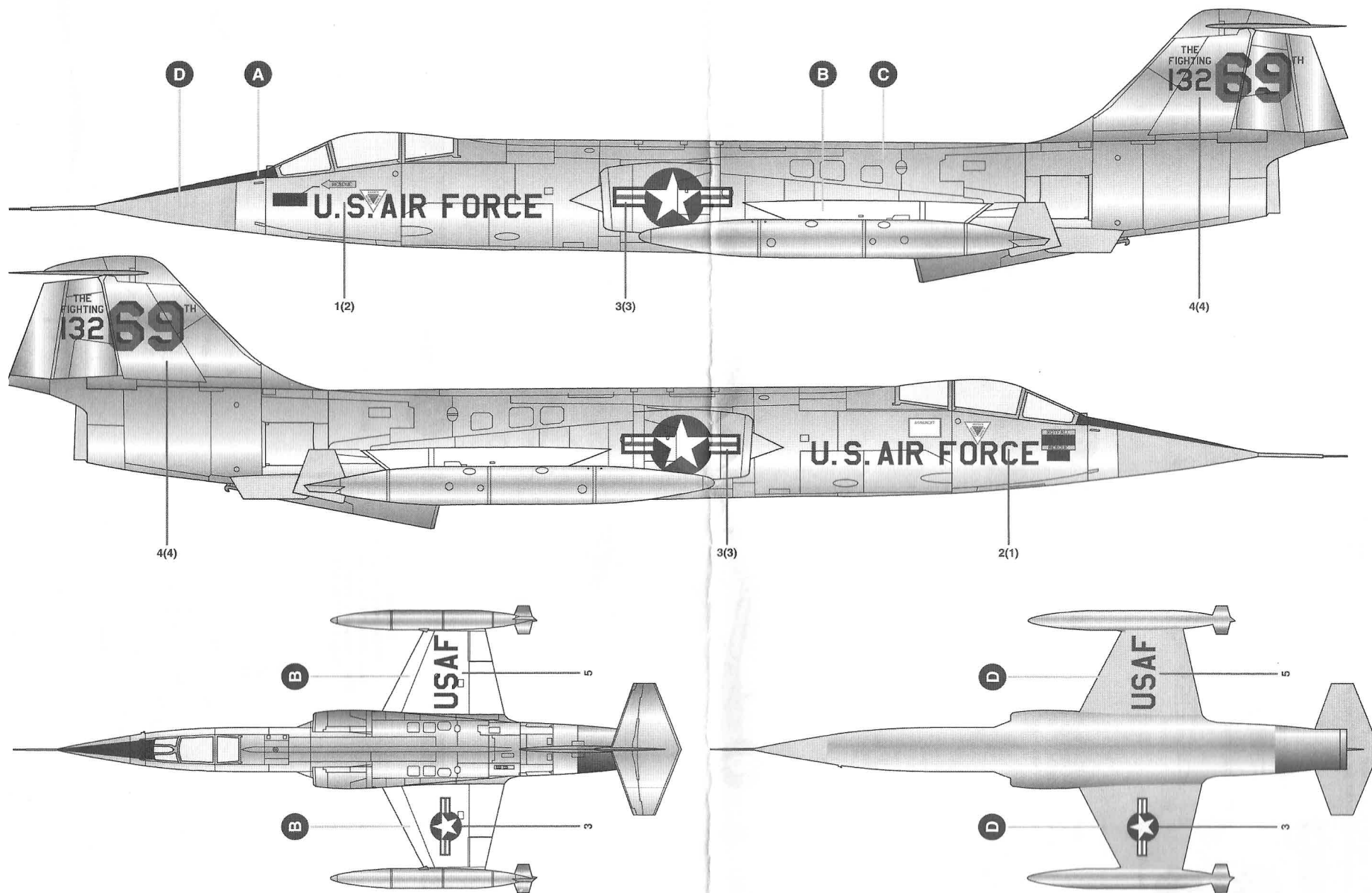
IN-FLIGHT VERSION

Missiles • WHITE



All Parts

Germany (in USAF markings), 58 TTW, Williams AFB, 1977



PAINTS

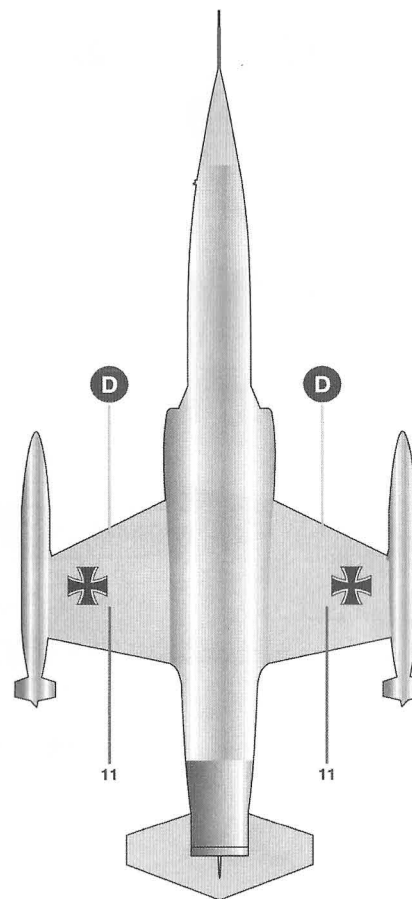
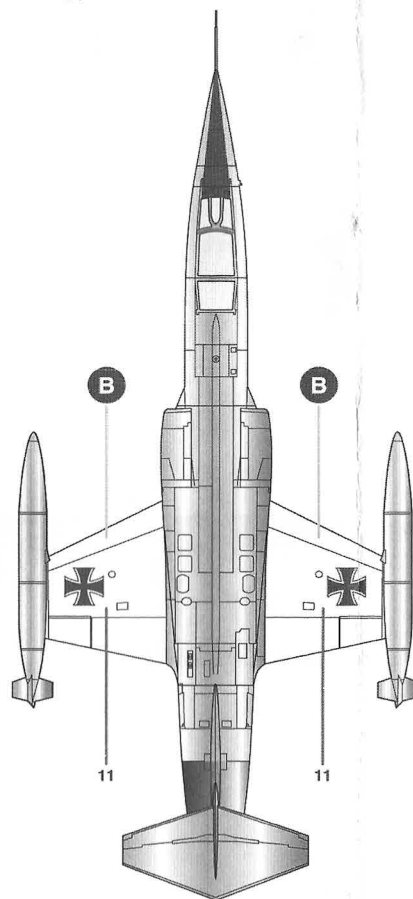
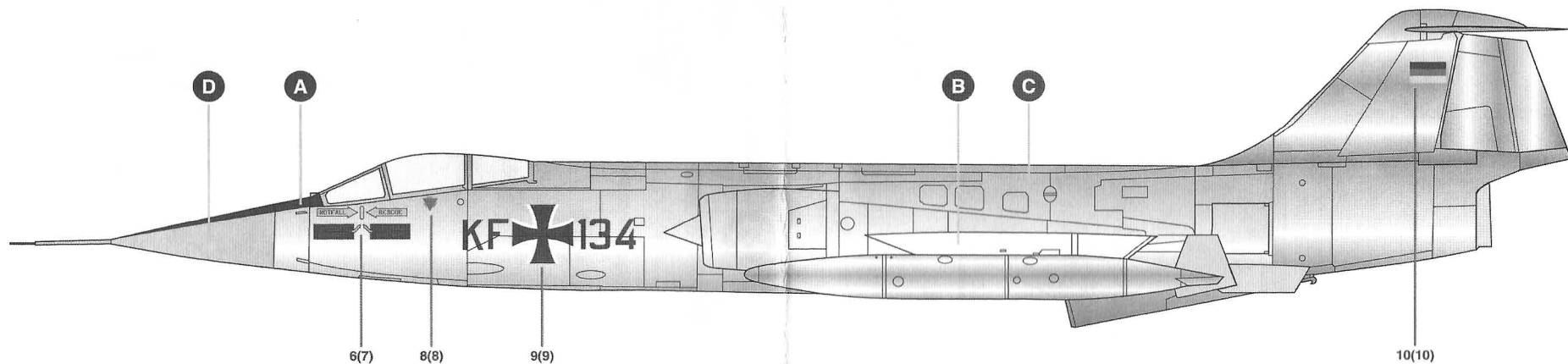
A- Black (ModelMaster 1749, Acryl 4768)

B- White (ModelMaster 1745, Acryl 4696)

C- Aluminum (ModelMaster 1781, Acryl 4677)

D- FS16473 Aircraft Gray (ModelMaster 1731, Acryl 4693)

Federal Luftwaffe, 34th F-104G delivered, Germany, early 1960's



PAINTS

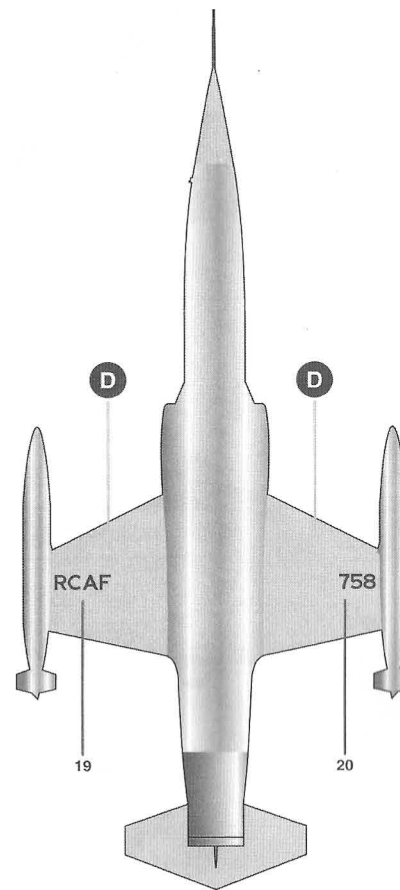
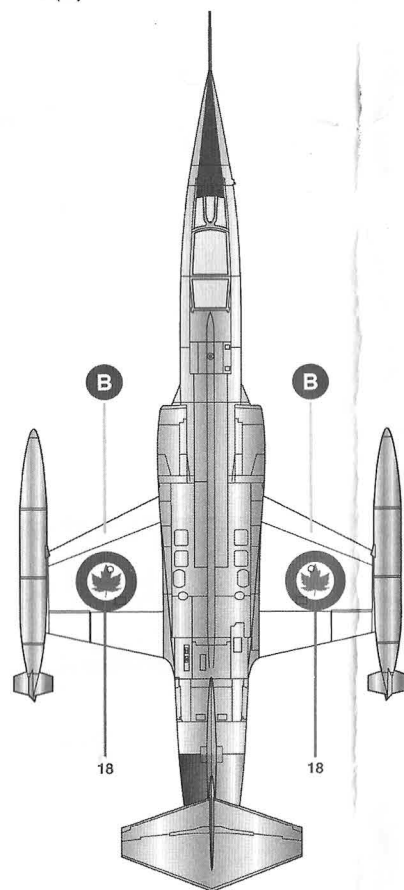
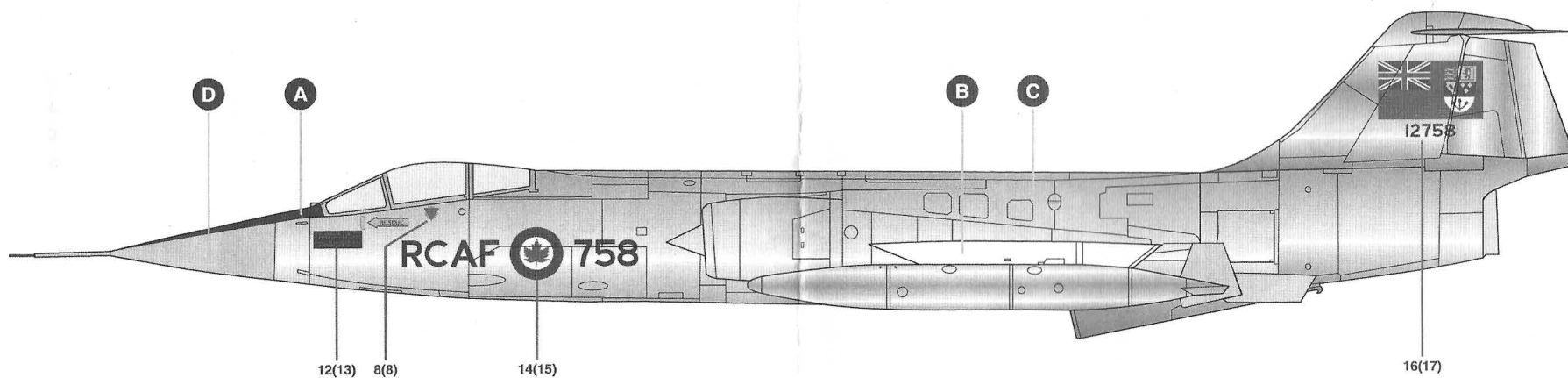
A- Black (ModelMaster 1749, Acryl 4768)

B- White (ModelMaster 1745, Acryl 4696)

C- Aluminum (ModelMaster 1781, Acryl 4677)

D- FS16473 Aircraft Gray (ModelMaster 1731, Acryl 4693)

Royal Canadian Air Force, Rockcliffe, Ontario, early 1960's



PAINTS

A- Black (ModelMaster 1749, Acryl 4768)

B- White (ModelMaster 1745, Acryl 4696)

C- Aluminum (ModelMaster 1781, Acryl 4677)

D- FS16473 Aircraft Gray (ModelMaster 1731, Acryl 4693)

Minicraft Models
 1501 Commerce Drive, Elgin IL 60123 USA
 Tel:847-429-9676
 E-mail: www.minicraftmodels.com